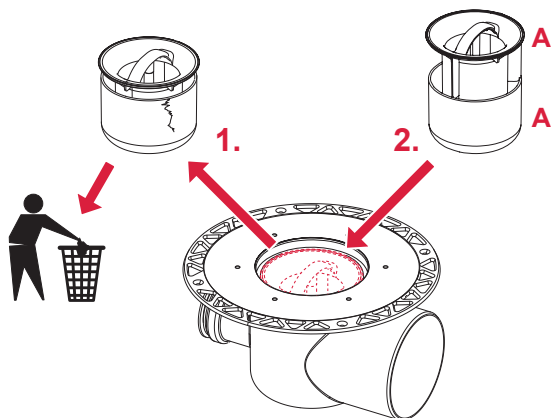
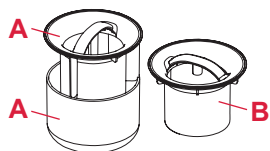
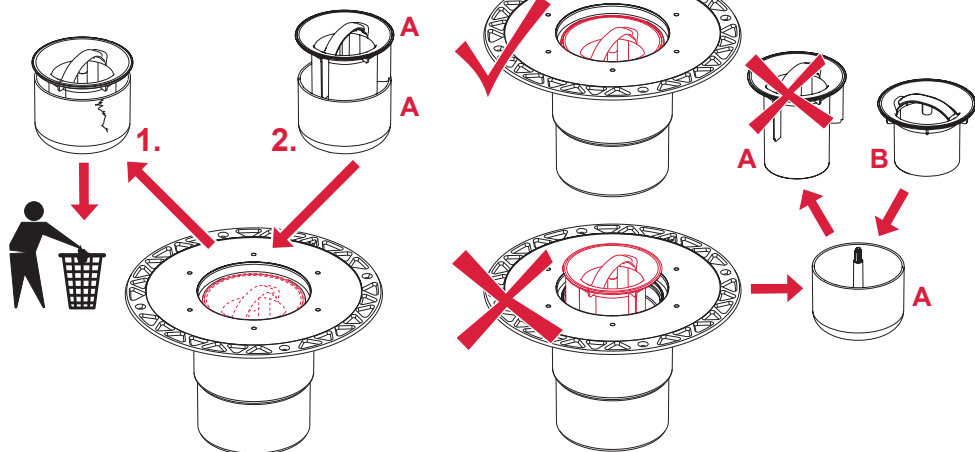


# TECEdrainpoint S – 369 50 04

360 75 00 / DN 100



360 76 00 / DN 100



AT430 045 00 c

**TECE** 