

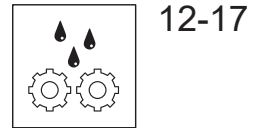
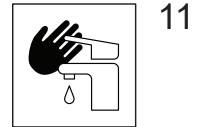
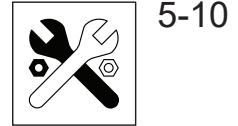


# HANSAVANTIS

Installation and maintenance guide







HANSA Connect App



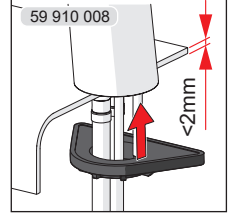
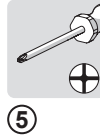
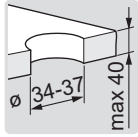
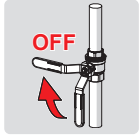
[hansa.com/hansa-app](https://hansa.com/hansa-app)

Apple and the Apple logo are trademarks of Apple Inc., registered in the U.S. and other countries. App Store is a service mark of Apple Inc., registered in the U.S. and other countries.

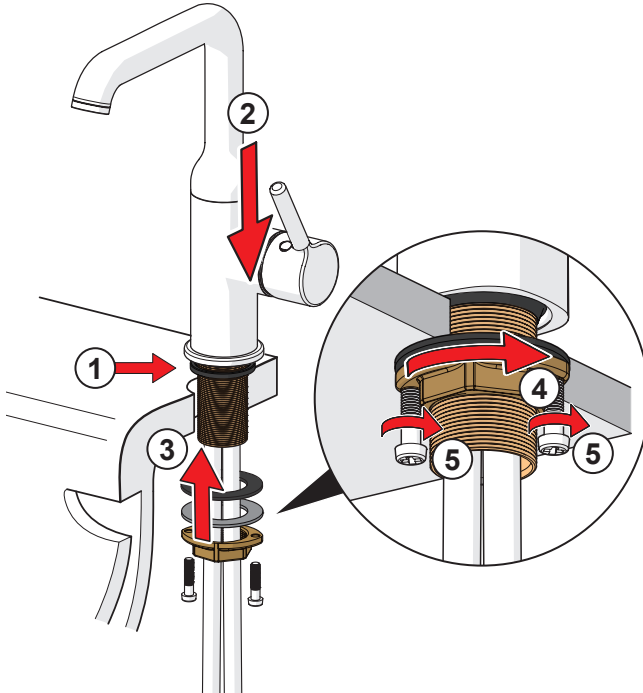
Google Play and the Google Play logo are trademarks of Google Inc.

The Bluetooth® word mark and logos are registered trademarks owned by the Bluetooth SIG, Inc. and any use of such marks by Oras Group is under license. Other trademarks and trade names are those of their respective owners.



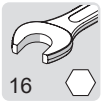


**1**





①



③



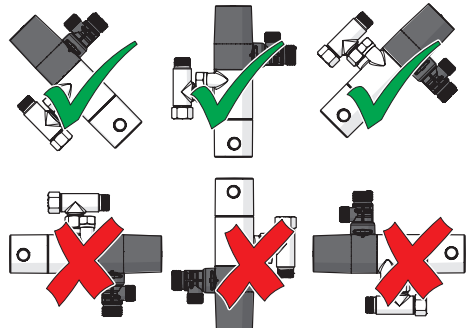
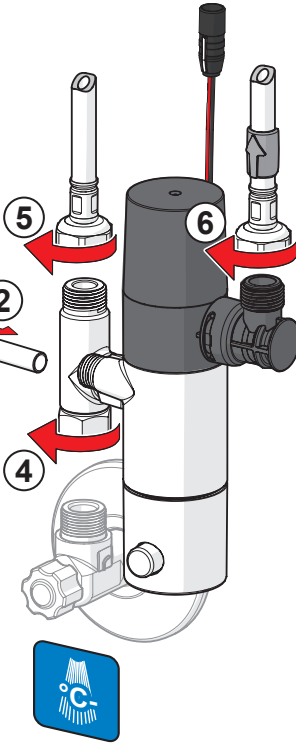
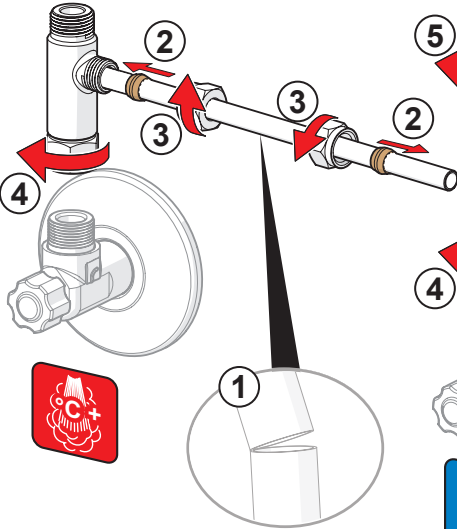
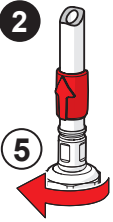
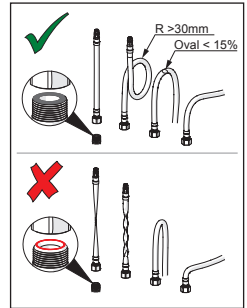
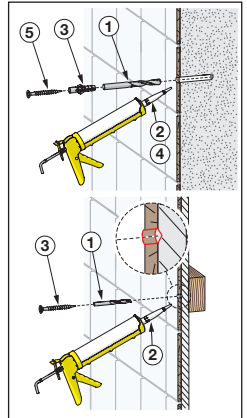
④ ⑤ ⑥



⑥



max.  
1600 kPa

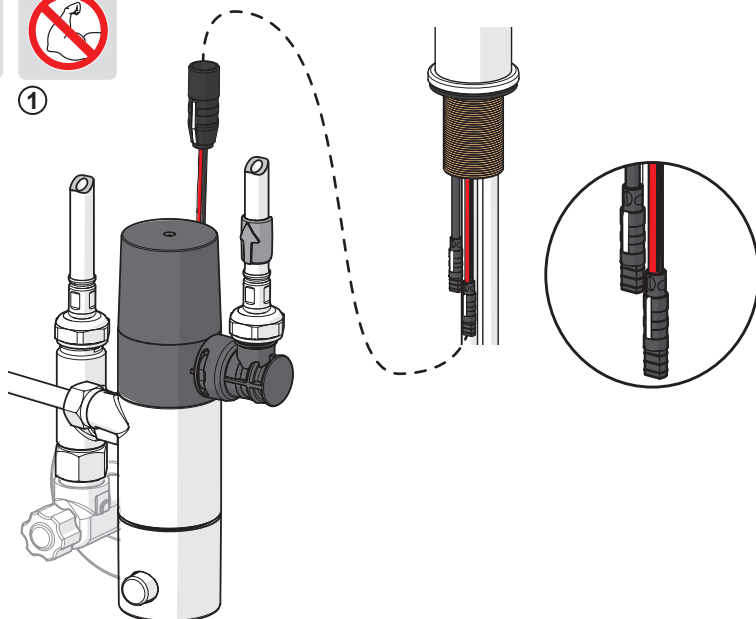




①

①

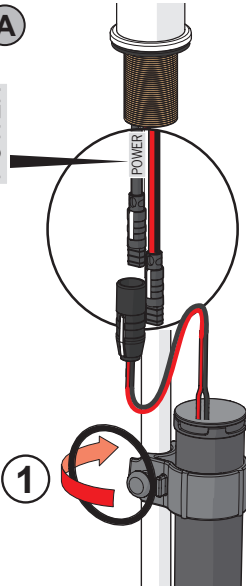
③





**4 A**

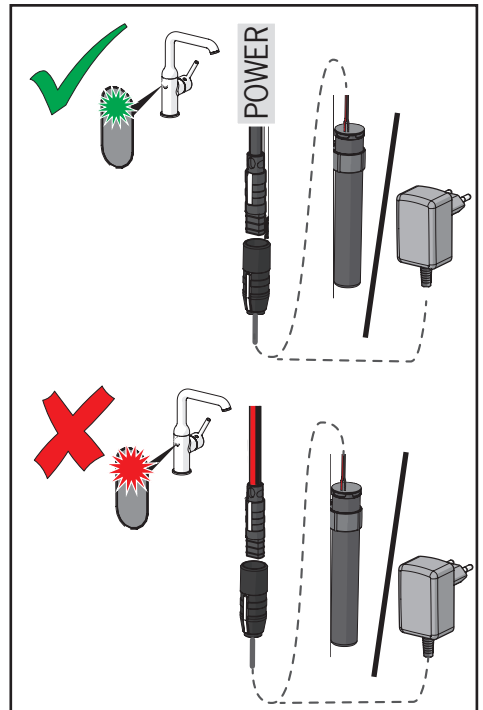
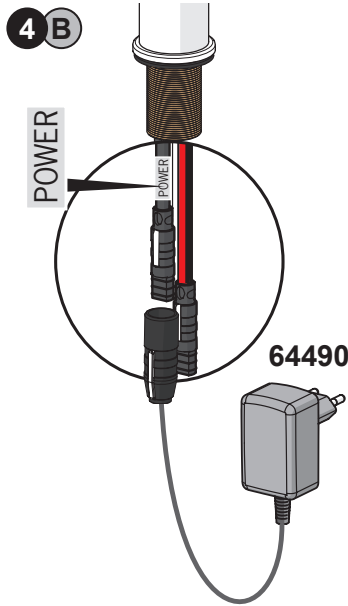
POWER



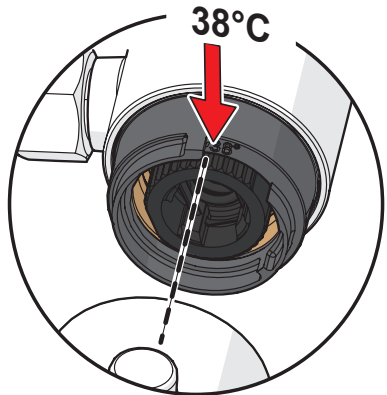
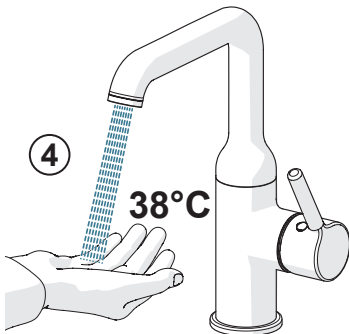
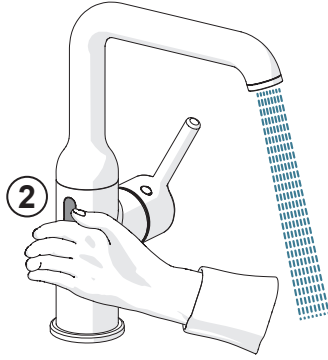
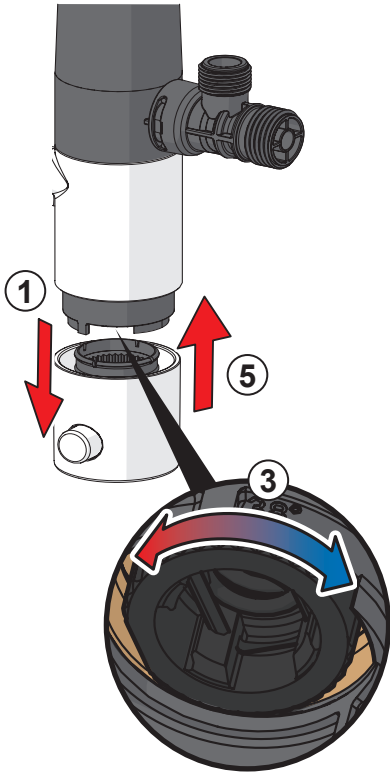
**4 B**

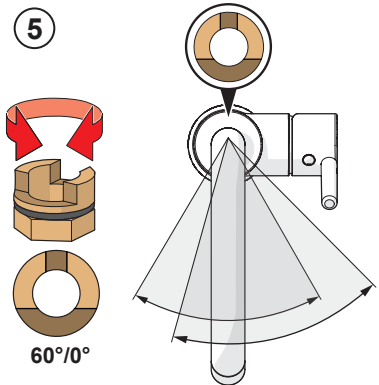
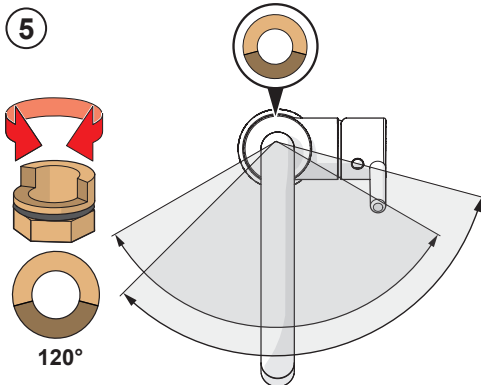
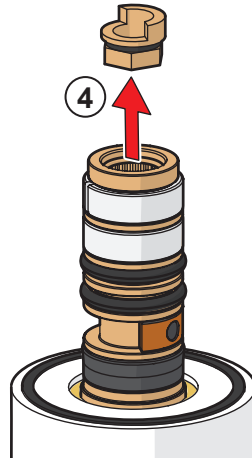
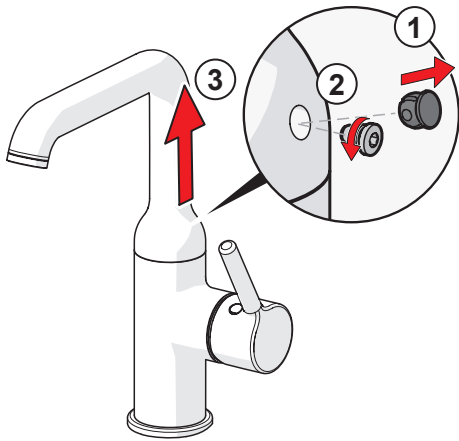
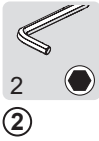
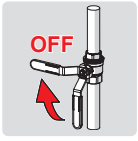
POWER

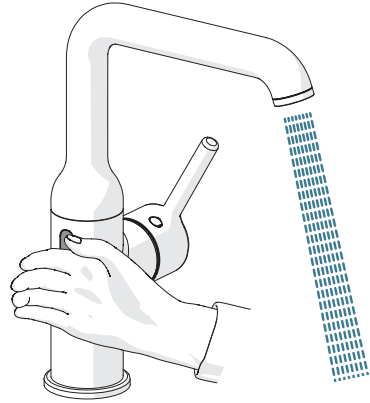
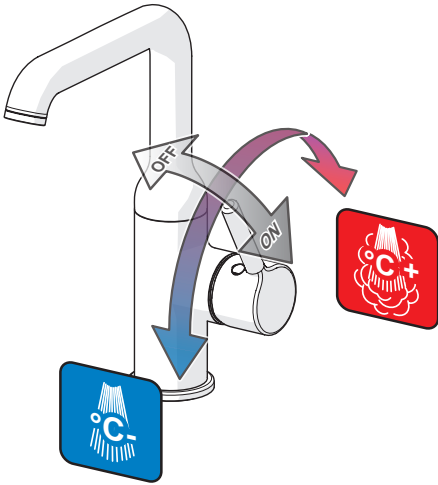
64490900



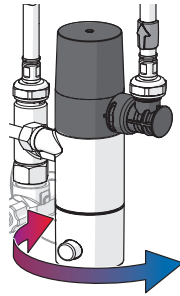
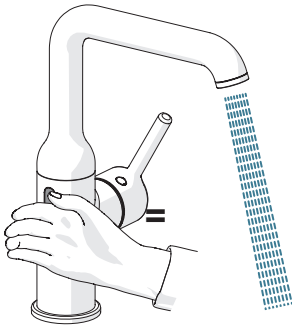






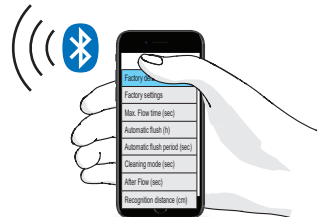


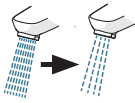
**ON 10 s**



HANSA Connect App  
 Download on the  
**App Store**  
 GET IT ON  
**Google Play**

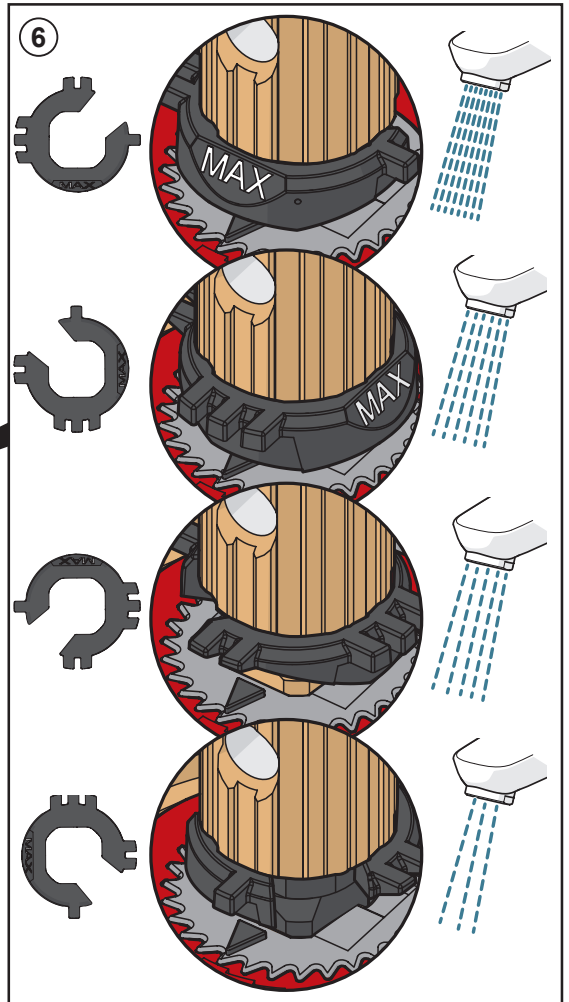
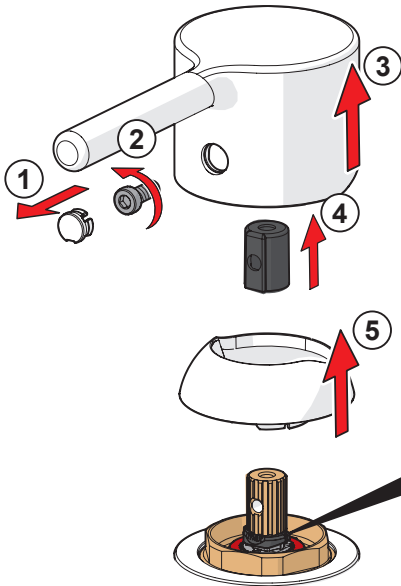
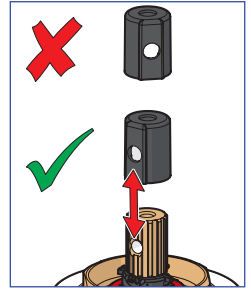
[hansa.com/hansa-app](https://hansa.com/hansa-app)

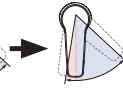
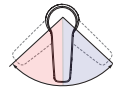




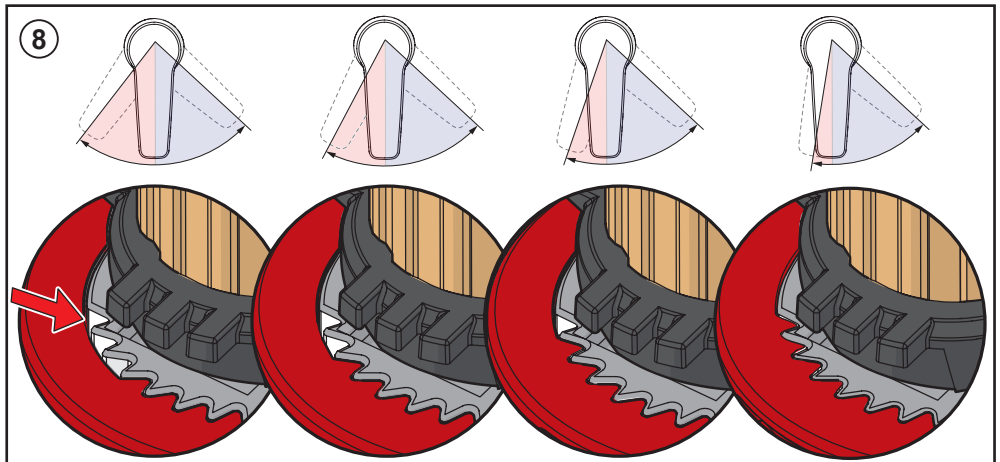
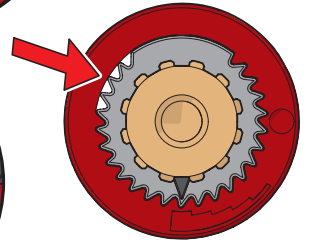
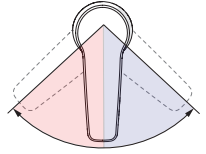
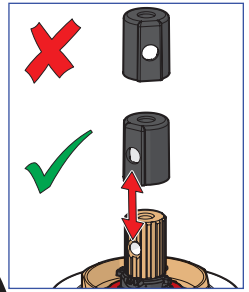
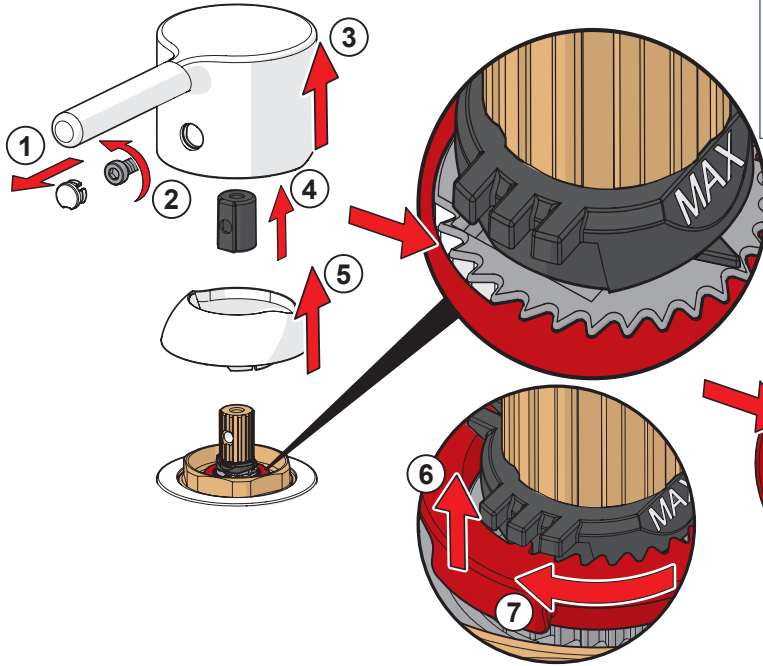
2.5

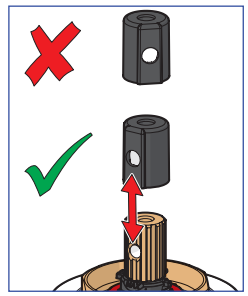
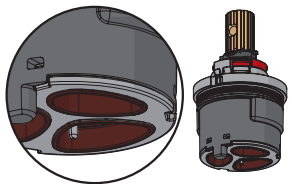
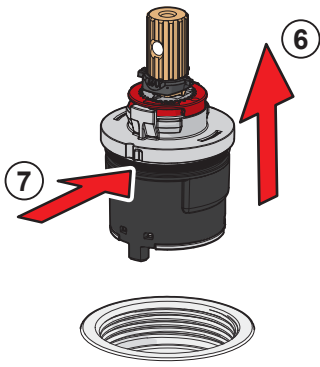
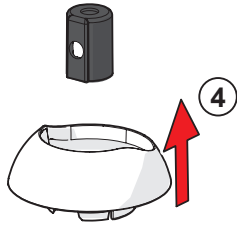
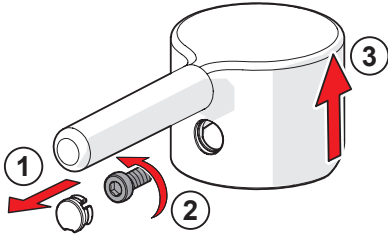
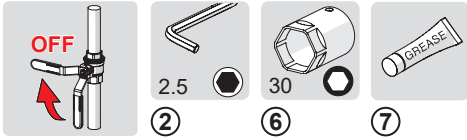
②

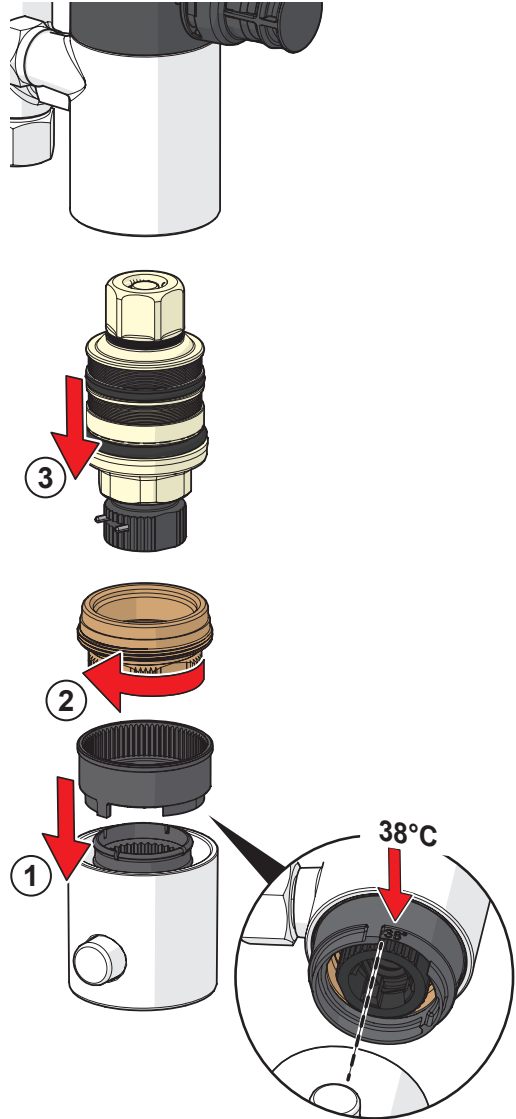
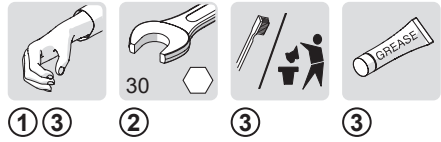
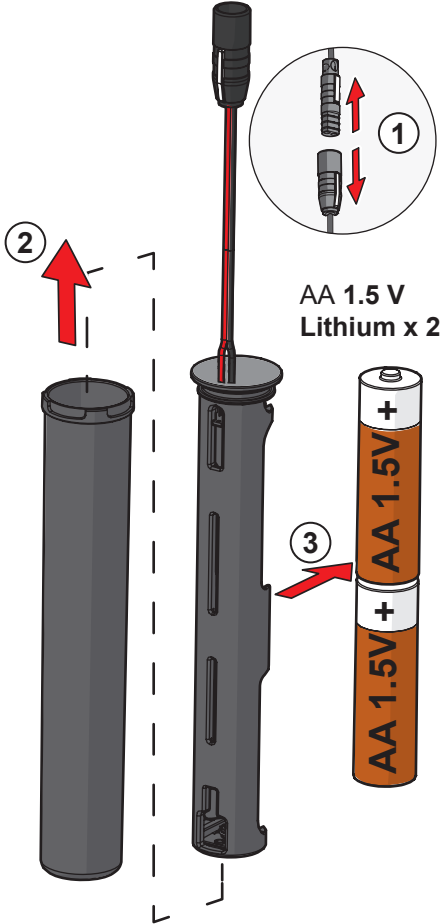


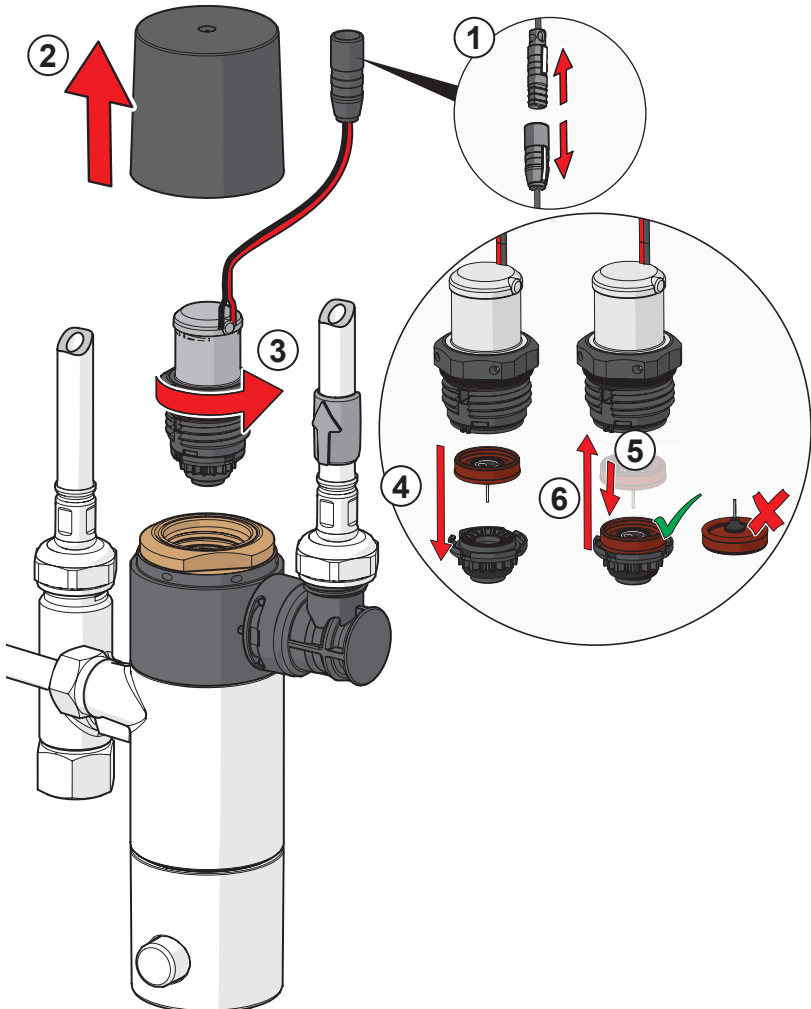
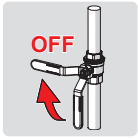


②

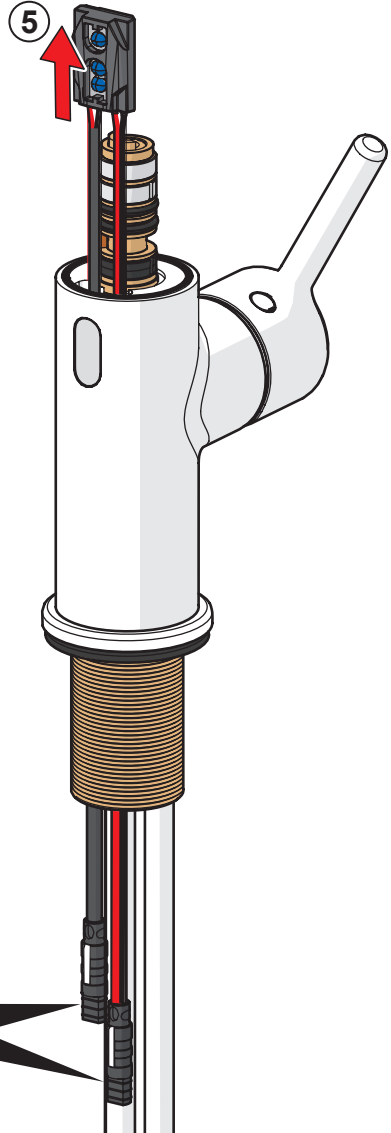
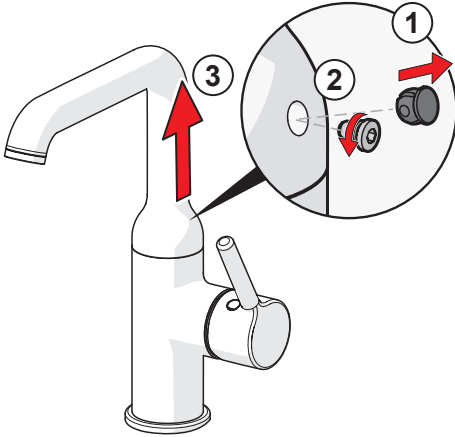
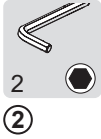
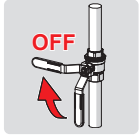










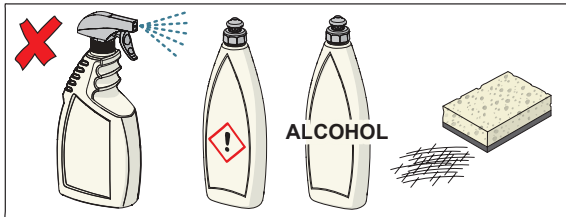
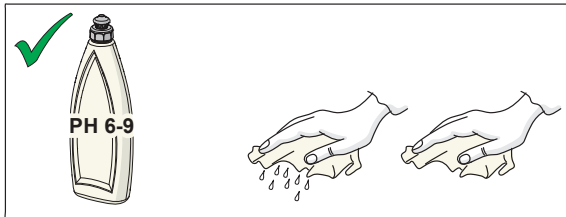




①



②



[cleaning.hansa.com](https://cleaning.hansa.com)



Oras Group is a powerful European provider of sanitary fittings: the market leader in the Nordics and a leading company in Continental Europe. The company's mission is to make the use of water easy and sustainable and its vision is to become the European leader of advanced sanitary fittings. Oras Group has two strong brands: Oras and Hansa.

The Group's head office is located in Rauma, Finland, and the Group has three manufacturing sites: Kralovice (Czech Republic), Olesno (Poland) and Rauma (Finland). Oras Group employs approximately 1,200 people in twenty countries. Oras Group is owned by Oras Invest, a family company and an industrial owner.

HANSA Armaturen GmbH  
P. O. BOX 81 02 40  
D-70519 Stuttgart  
Sigmaringer Strasse 107  
D-70567 Stuttgart  
Tel.: +49 711 16 14 0  
Fax: +49 711 16 14 368  
info@hansa.de  
www.hansa.com



943483D-05-22