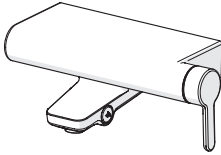


HANSADESIGNO STYLE

INSTALLATION AND MAINTENANCE GUIDE



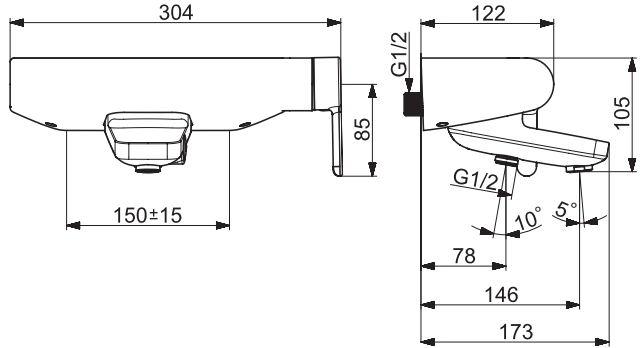
Contents

CZ Obsah**DE** Inhaltsübersicht**ES** Contenidos**FR** Sommaire**GR** Περιεχόμενα**HU** Tartalom**IT** Indice**NL** Inhoud**PT** Conteúdo**RO** Cuprins**SK** Obsah

Technical data.....	4
Installation	5-6
Operation.....	7
Maintenance.....	8-12
Spare parts.....	13

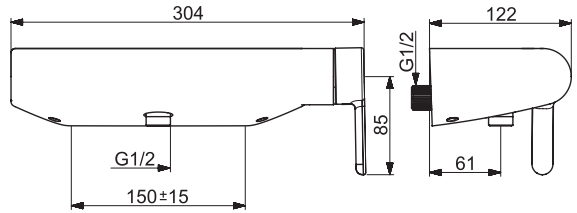
5185 2183

II (ISO 3822)
EN 817
50 - 1000 kPa
0.3 / 0.2 l/s (300 kPa)
150 kPa (0.2 l/s)
300 kPa (0.3 l/s)
max. +80°C



5186 0183

II (ISO 3822)
EN 817
50 - 1000 kPa
0.3 / 0.2 l/s (300 kPa)
150 kPa (0.2 l/s)
300 kPa (0.3 l/s)
max. +80°C



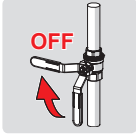
Installation

CZ Montáž
DE Montage
ES Montaje

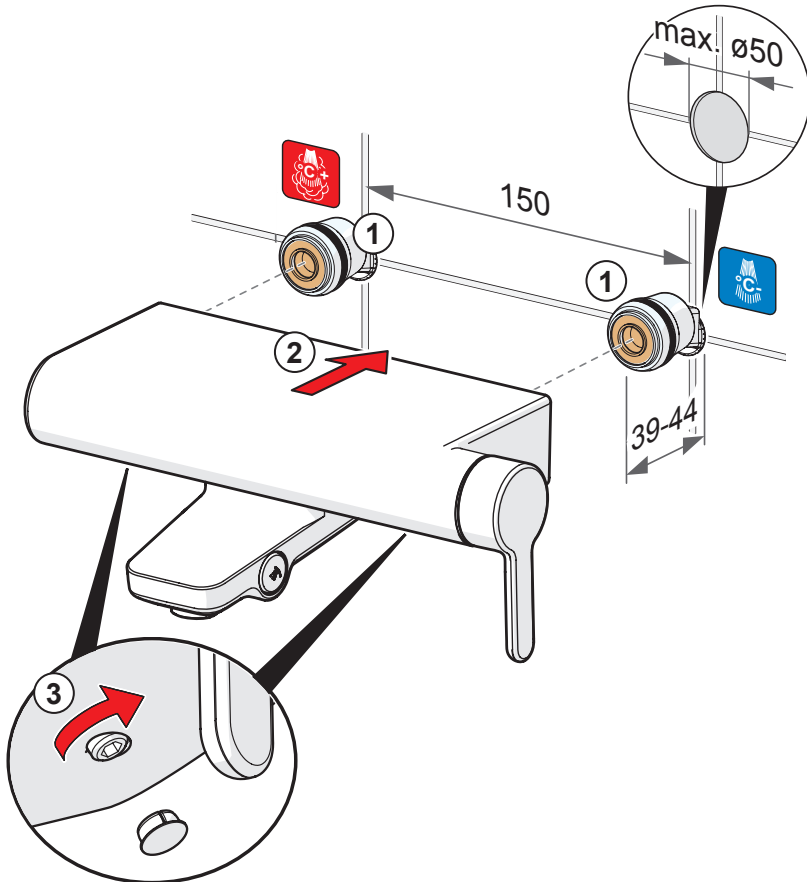
FR Installation
GR Συναρμολόγηση
HU Szerelés

IT Montaggio
NL Installatie
PT Instruções

RO Instalare
SK Inštalácia



max.
1600 kPa



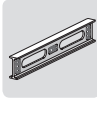
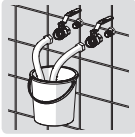
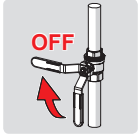
Installation

CZ Montáž
DE Montage
ES Montaje

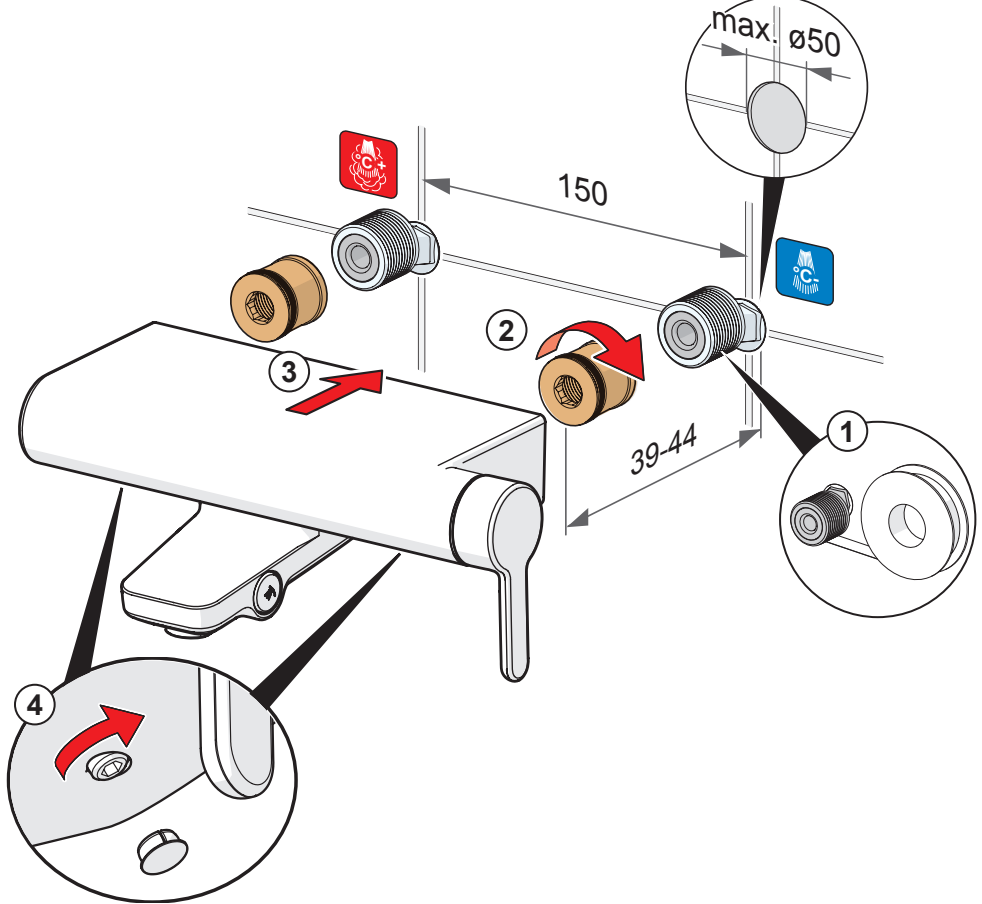
FR Installation
GR Συναρμολόγηση
HU Szerelés

IT Montaggio
NL Installatie
PT Instruções

RO Instalare
SK Inštalácia



max.
1600 kPa



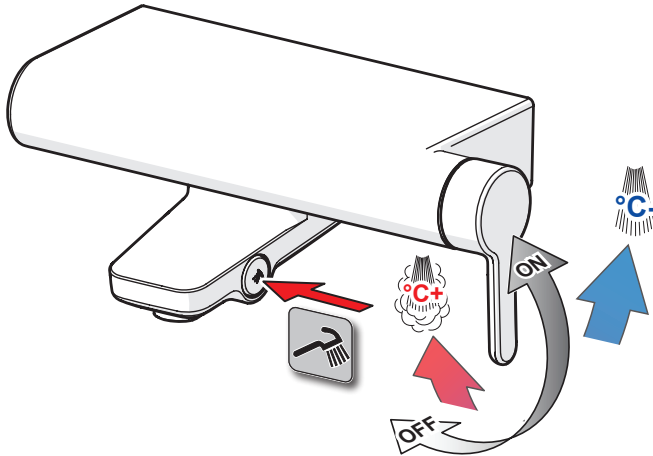
Operation

CZ Funkce
DE Funktion
ES Servicio

FR Utilisation
GR Λειτουργία
HU Üzemeltetés

IT Funzionamento
NL Bediening
PT Funcionamento

RO Funcționare
SK Prevádzka



Limiting the flow rate

CZ Omezení průtoku

DE Bergrenzung der Durchflußmenge

ES Limitación de la tasa de flujo

FR Limitation du débit

GR Περιορισμός ρυθμού ροής

HU Az áramlás határolása

IT Limitazione della portata

NL Begrenzing van de doorstroomhoeveelheid

PT Limitar o caudal

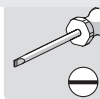
RO Limitarea debitului

SK Obmedzenie prietoku

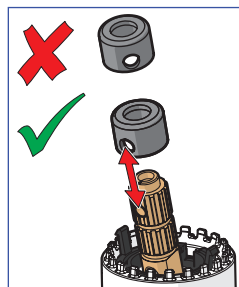
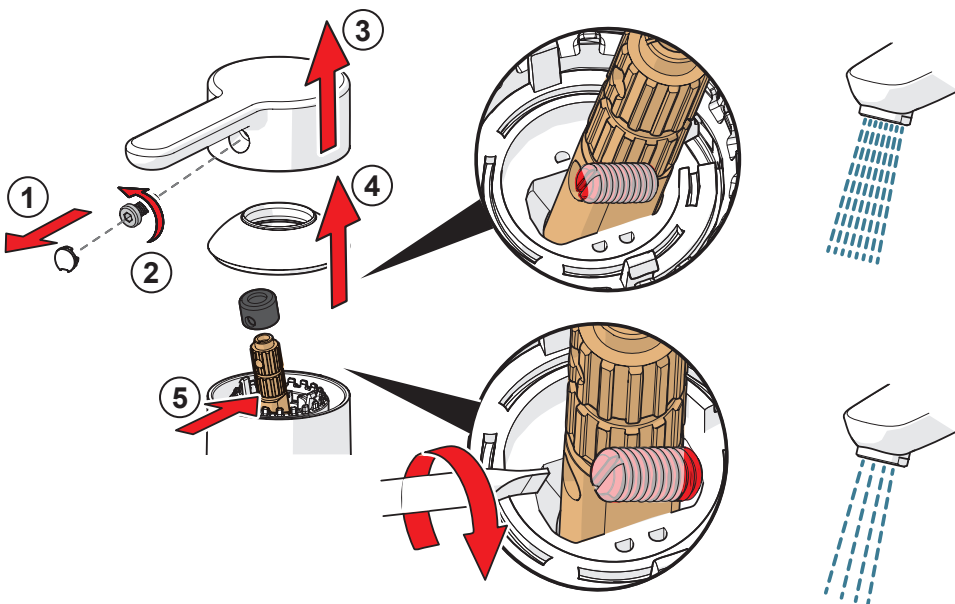


2.5

②



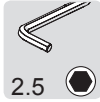
⑤



Limiting temperature

CZ Omezení teploty
DE Temperaturbegrenzung
ES Limitación de la temperatura
FR Limitation de la température
GR Περιορισμός θερμοκρασίας
HU A hőmérséklet határolása

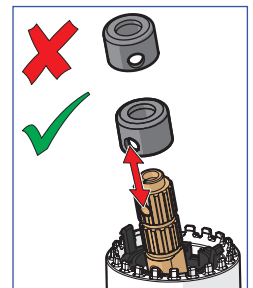
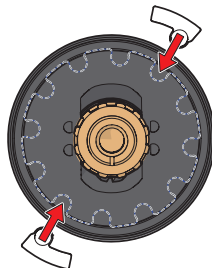
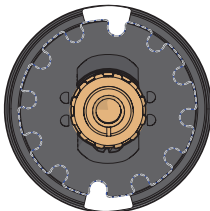
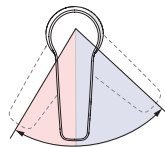
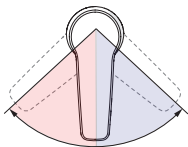
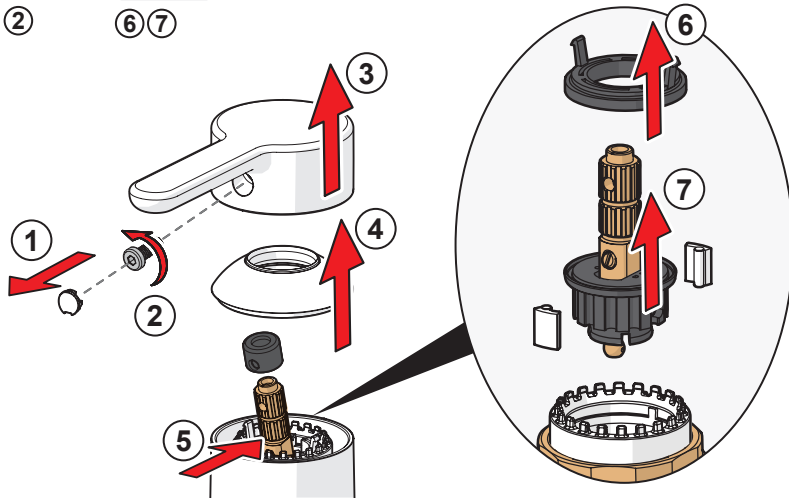
IT Limitazione della temperatura
NL Perlator vervangent
PT Limitar a temperatura
RO Limitarea temperaturii
SK Obmedzenie teploty



2.5

②

⑥ ⑦



Changing the cartridge

CZ Výměna kartuše

DE Wechsel der Patrone

ES Montaje del cartucho

FR Montage et démontage de la cartouche

GR Αντικατάσταση του στοιχείου

HU A patron cseréje

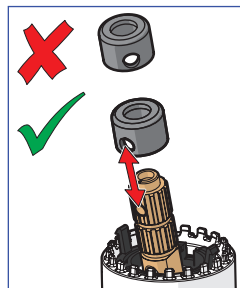
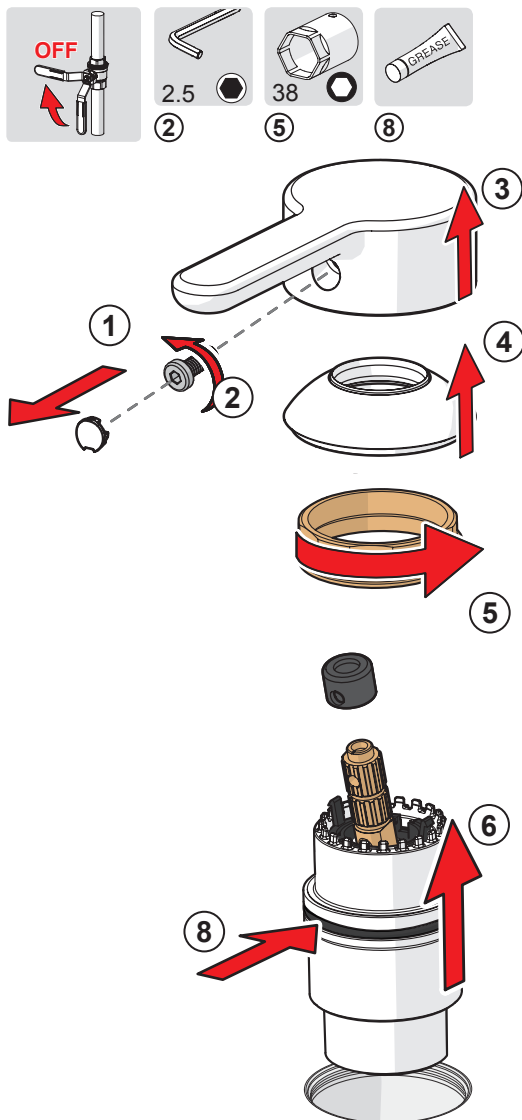
IT Montaggio della cartuccia

NL Vervangen van het keramische binnenwerk

PT Substituição do cartucho

RO Înlocuirea cartușului

SK Výměna kartuše



Changing the diverter

CZ Výměna přepínače

DE Wechsel des Umstellers

ES Cambiar la inversor

FR Changement de l'inverseur

GR Αλλαγή εκτροπέα

HU A zuhanyváltó cseréje

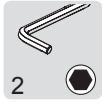
IT Sostituzione della deviatore

NL Omsteller vervangen

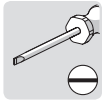
PT Substituir o desviador

RO Înlocuirea divertorului

SK Výměna prepínača



①



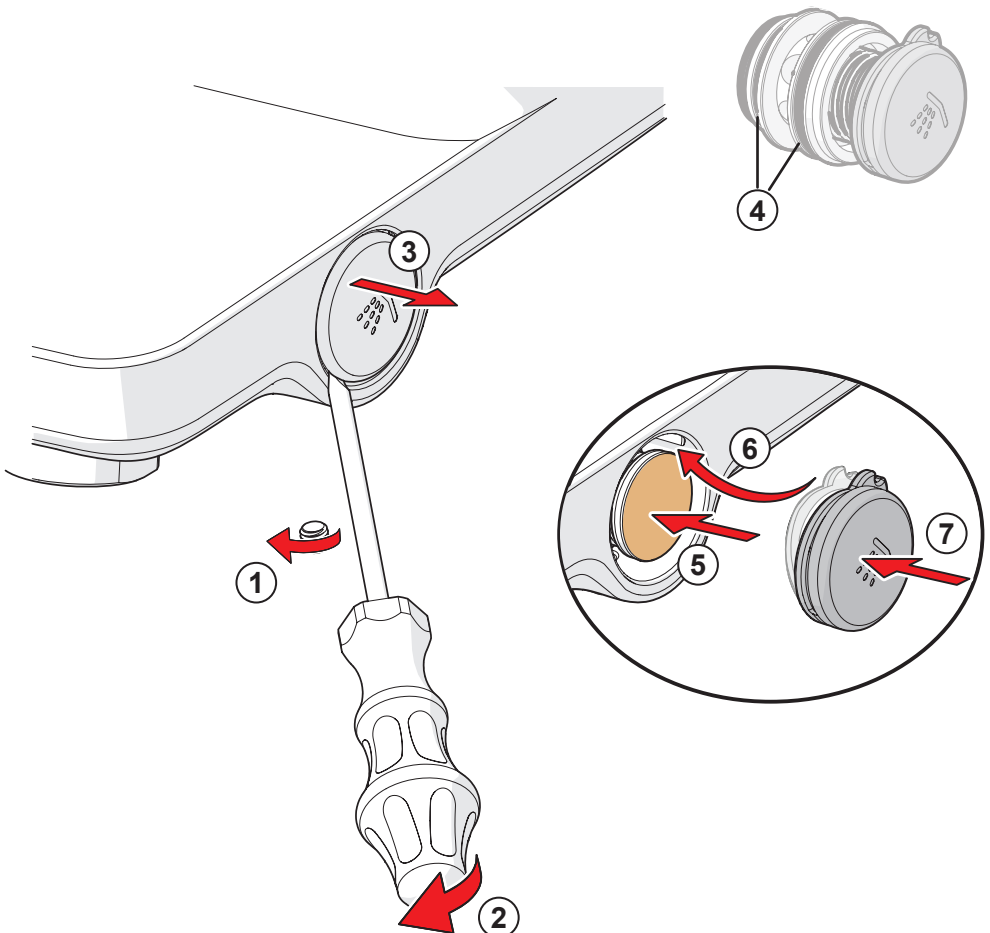
②



④



⑤ ⑦

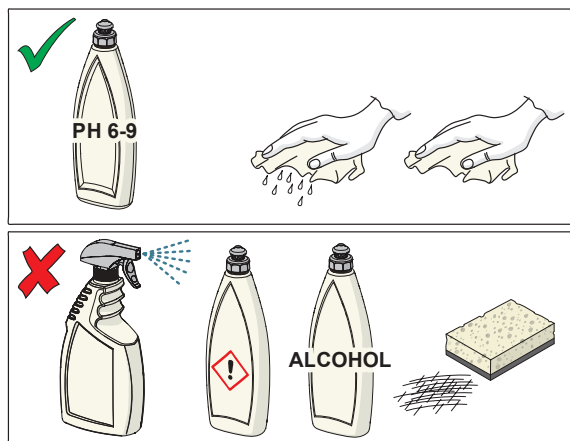


Cleaning the faucet

CZ Čištění baterie
DE Reinigung der Armatur
ES Limpieza de la grifería
FR Nettoyage du robinet

GR Καθαρισμός του βρύση
HU Takarítás a csapot
IT Pulizia della rubinetteria
NL Reinigen van de kraan

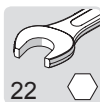
PT Limpeza da torneira
RO Curățire
SK Čistenie vodovodnej batérie



Cleaning/changing the aerator

DK Rensning/Udskiftning af perlator
EE Õhusti puhastamine/vahetamine
FI Poresuuttimen puhdistaminen/vaihtaminen
LT Aeratoriaus valymas ir pakeitimas
LV Aeratora tīrīšana/maiņa

NO Rensing/Bytting av strålesamler
PL Czyszczenie/Wymiana perlatora
RU Очистка и замена аэратора
SE Rengöring/Byte av strålsamlare
UA Чищення та заміна аератора



22

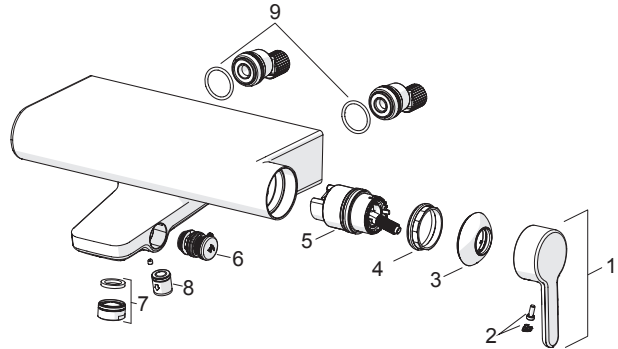


Spare parts

CZ Náhradní díly	FR Pièces détachées	IT Pezzi di ricambio	RO Piese de schimb
DE Ersatzteile	GR Ανταλλακτικά	NL Reserve-onderdelen	SK Náhradné diely
ES Piezas de recambio	HU Alkatrészek	PT Peças de reposição	

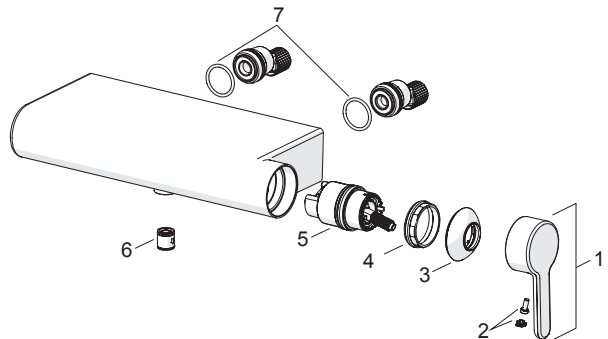
5185 2183

- 1 59 914 574
- 2 59 914 573
- 3 59 914 649
- 4 59 914 128
- 5 59 914 129
- 6 59 914 604
- 7 59 911 829
- 8 59 914 250
- 9 59 911 479



5186 0183

- 1 59 914 574
- 2 59 914 573
- 3 59 914 649
- 4 59 914 128
- 5 59 914 129
- 6 59 905 714
- 7 59 911 479



Oras Group is a powerful European provider of sanitary fittings: the market leader in the Nordics and a leading company in Continental Europe. The company's mission is to make the use of water easy and sustainable and its vision is to become the European leader of advanced sanitary fittings. Oras Group has two strong brands, Oras and Hansa.

The head office of the Group is located in Rauma, Finland, and the Group has four manufacturing sites: Burglengenfeld (Germany), Kralovice (Czech Republic), Olesno (Poland) and Rauma (Finland). Oras Group employs approximately 1400 people in twenty countries. Oras Group is owned by Oras Invest, a family company and an industrial owner.

HANSA Armaturen GmbH
P. O. BOX 81 02 40
D-70519 Stuttgart

Sigmaringer Strasse 107
D-70567 Stuttgart
Tel.: +49 711 16 14 0
Fax: +49 711 16 14 368
info@hansa.de

www.hansa.com



a member of  orasgroup