






HANSAMEDIPRO

Installation and maintenance guide



	4-7
	8-10
	11
	12-15
	16



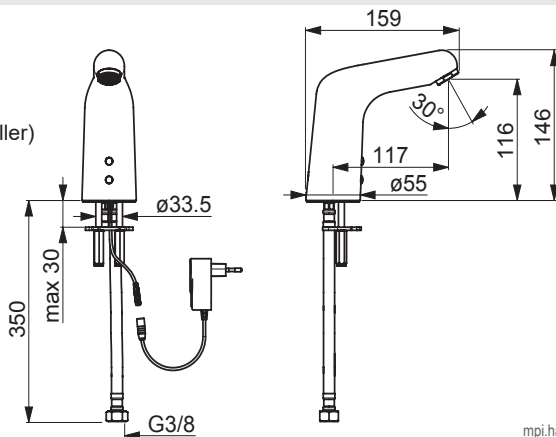
Apple and the Apple logo are trademarks of Apple Inc., registered in the U.S. and other countries. App Store is a service mark of Apple Inc., registered in the U.S. and other countries.

Google Play and the Google Play logo are trademarks of Google Inc.

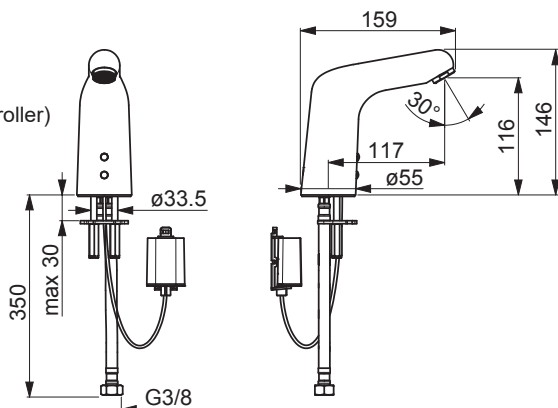
The Bluetooth® word mark and logos are registered trademarks owned by the Bluetooth SIG, Inc. and any use of such marks by Hansa Armaturen GmbH is under license. Other trademarks and trade names are those of their respective owners.

**0567 2029**

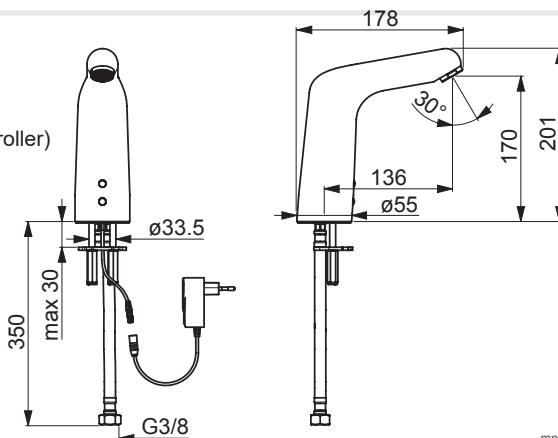
EN 15091
 100 - 1000 kPa
 0.1 l/s (300 kPa) (with flow controller)
 200 kPa (0.1 l/s)
 max. +70°C
 IP 55
 12V/ 9V

**Bluetooth**mpi.hansa.com/05672029**0567 2019**

EN 15091
 100 - 1000 kPa
 0.1 l/s (300 kPa) (with flow controller)
 200 kPa (0.1 l/s)
 max. +70°C
 IP 55
 Lithium 2CR5 6V

**Bluetooth**mpi.hansa.com/05672019**0568 2029**

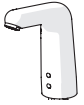
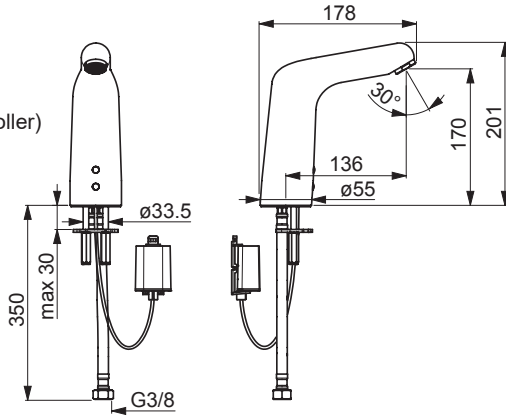
EN 15091
 100 - 1000 kPa
 0.1 l/s (300 kPa) (with flow controller)
 200 kPa (0.1 l/s)
 max. +70°C
 IP 55
 12V/ 9V

**Bluetooth**mpi.hansa.com/05682029



0568 2019

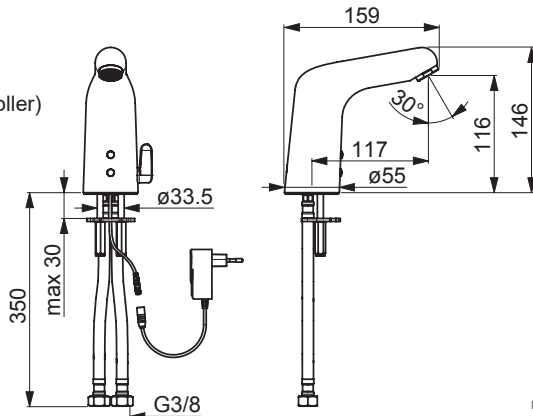
EN 15091
 100 - 1000 kPa
 0.1 l/s (300 kPa) (with flow controller)
 200 kPa (0.1 l/s)
 max. +70°C
 IP 55
 Lithium 2CR5 6V



mpi.hansa.com/05682019

0567 2129

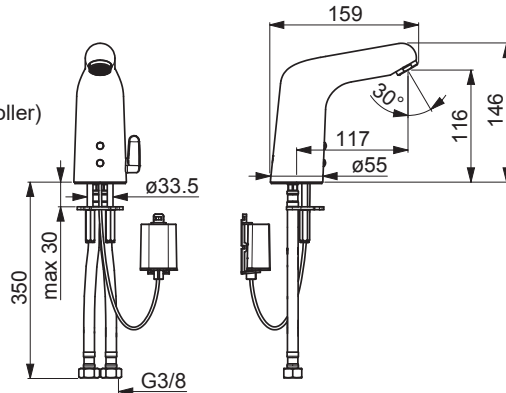
EN 15091
 100 - 1000 kPa
 0.1 l/s (300 kPa) (with flow controller)
 200 kPa (0.1 l/s)
 max. +70°C
 IP 55
 12V/ 9V



mpi.hansa.com/05672129

0567 2119

EN 15091
 100 - 1000 kPa
 0.1 l/s (300 kPa) (with flow controller)
 200 kPa (0.1 l/s)
 max. +70°C
 IP 55
 Lithium 2CR5 6V



mpi.hansa.com/05672119



0568 2129

EN 15091

100 - 1000 kPa

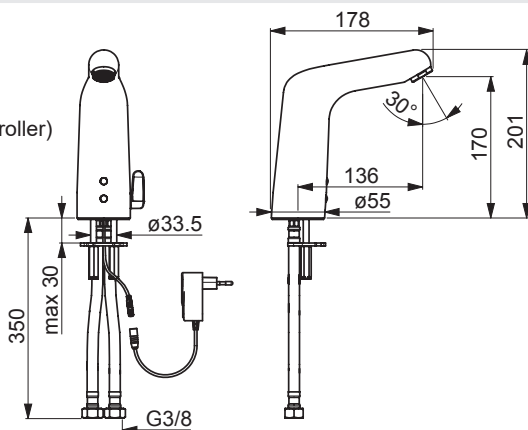
0.1 l/s (300 kPa) (with flow controller)

200 kPa (0.1 l/s)

max. +70°C

IP 55

12V/ 9V



Bluetooth®



mpi.hansa.com/05682129

0568 2119

EN 15091

100 - 1000 kPa

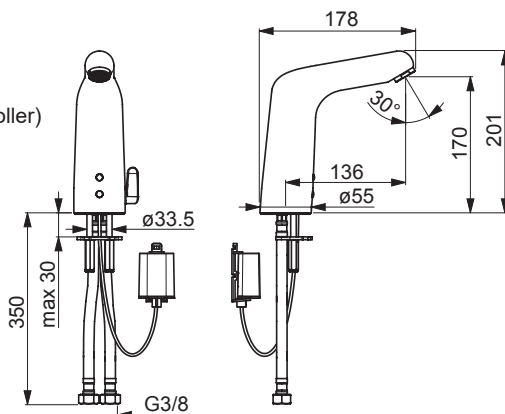
0.1 l/s (300 kPa) (with flow controller)

200 kPa (0.1 l/s)

max. +70°C

IP 55

Lithium 2CR5 6V



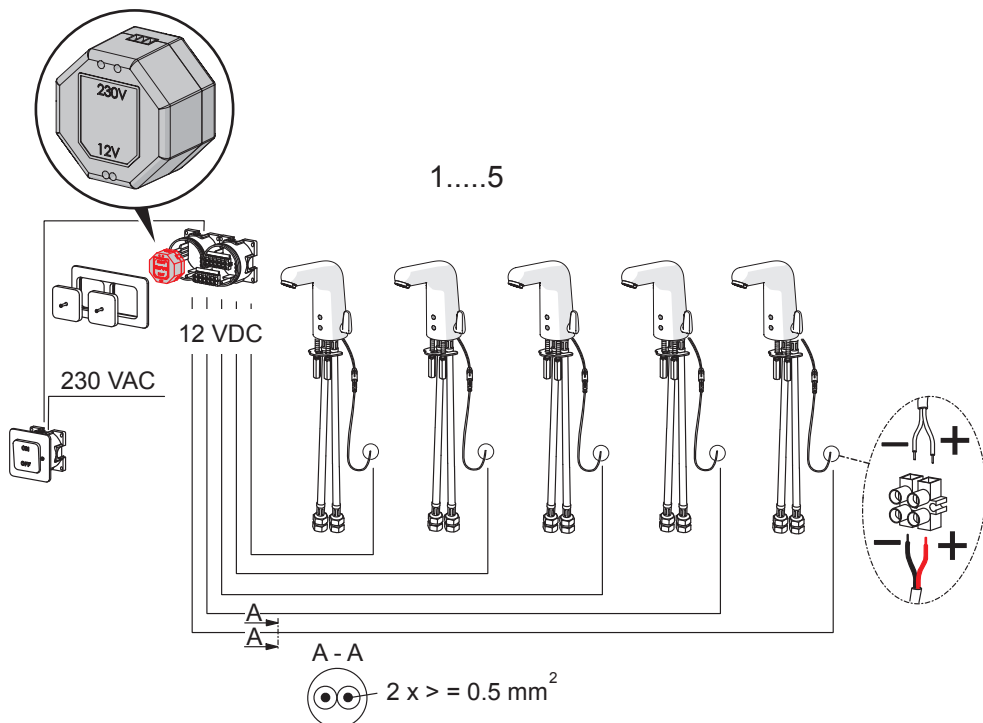
Bluetooth®

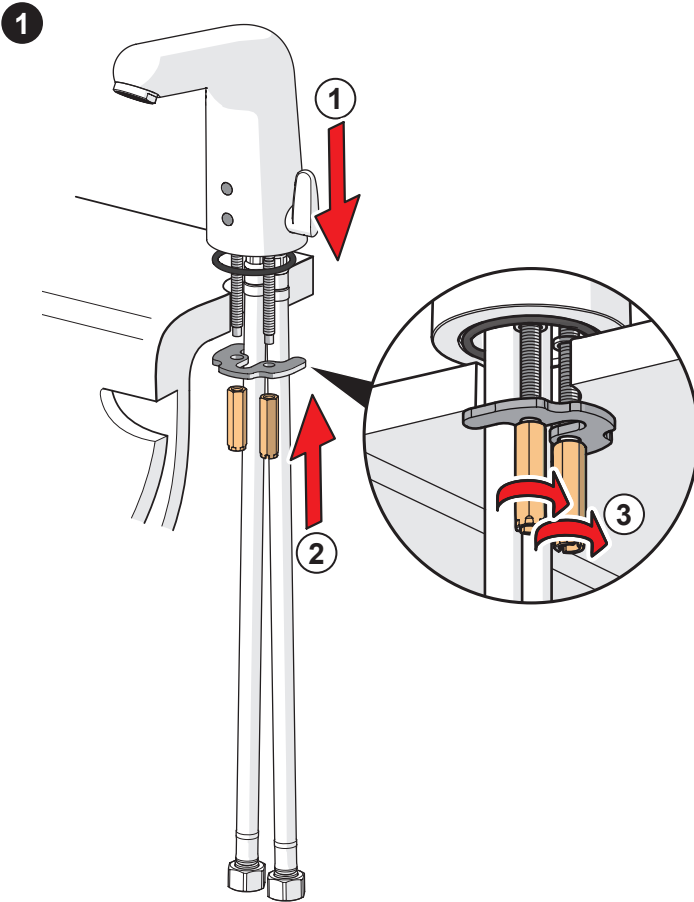
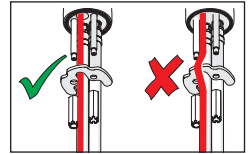
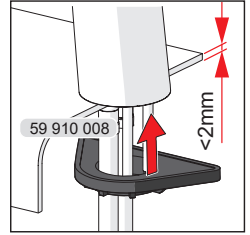
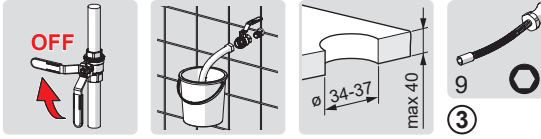


mpi.hansa.com/05682119

- GB** Power supply requirement: Power supply output must be short circuit protected.
- CZ** Požadavky týkající se napájecího zdroje: Výstup napájecího zdroje musí být chráněn proti zkratu.
- DE** Stromversorgungsvoraussetzungen: Stromversorgungsspannung muss kurzschlussgeschützt sein.
- DK** Krav til strømforstyrning: Strømforsyningsudgang skal være kortslutningsbeskyttet.
- ES** Requisitos del suministro eléctrico: el suministro eléctrico debe estar protegido contra cortocircuitos.
- FI** Vaatimukset virtalähteelle: Virtalähteen ulostulon tulee olla oikosulkusuojattu.
- FR** Unité d'alimentation électrique: La sortie de l'unité d'alimentation oit être protégée contre le court-circuit.
- IT** Requisiti dell'alimentazione: L'uscita deve essere protetta da cortocircuiti.
- NL** Vereisten voor de voeding: De uitgang van de voeding moet beschermd zijn tegen kortsluitingen.
- NO** Krav til strømforstyrning: Strømforsyningsspenning må være kortslutningssikret.
- PL** Wymagania w stosunku do zasilacza: Zasilacz musi być wyposażony w zabezpieczenie przeciwzwarciowe.
- RU** Требования к источнику тока: Выход источника тока защищен от короткого замыкания.
- SE** Krav på matningsdon: Utspänningen skall vara kortslutningssäker.
- SK** Požiadavka na napájanie: Výstup napájania musí byť chránený voči skratu.

6499 0100



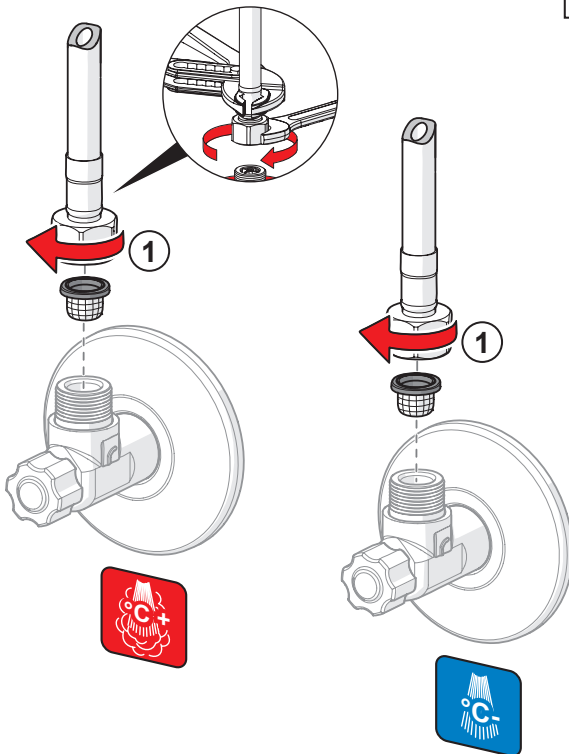
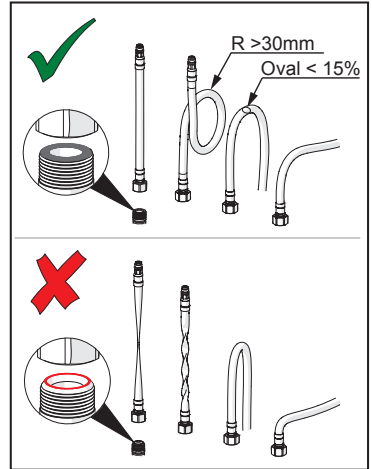




19

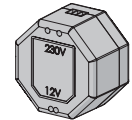
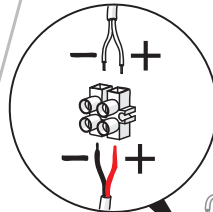
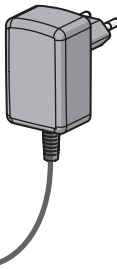
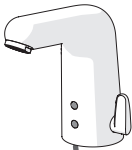
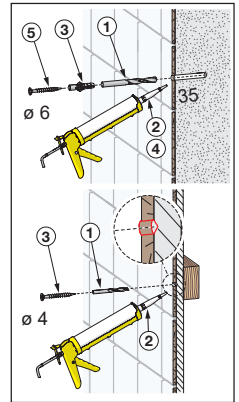
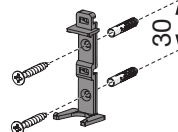
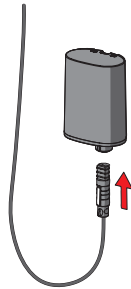
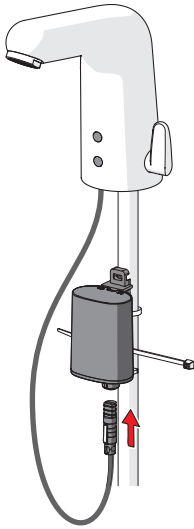
①

②

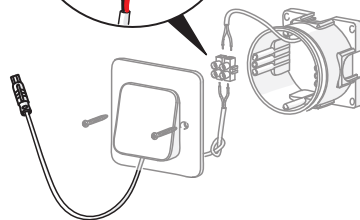




3



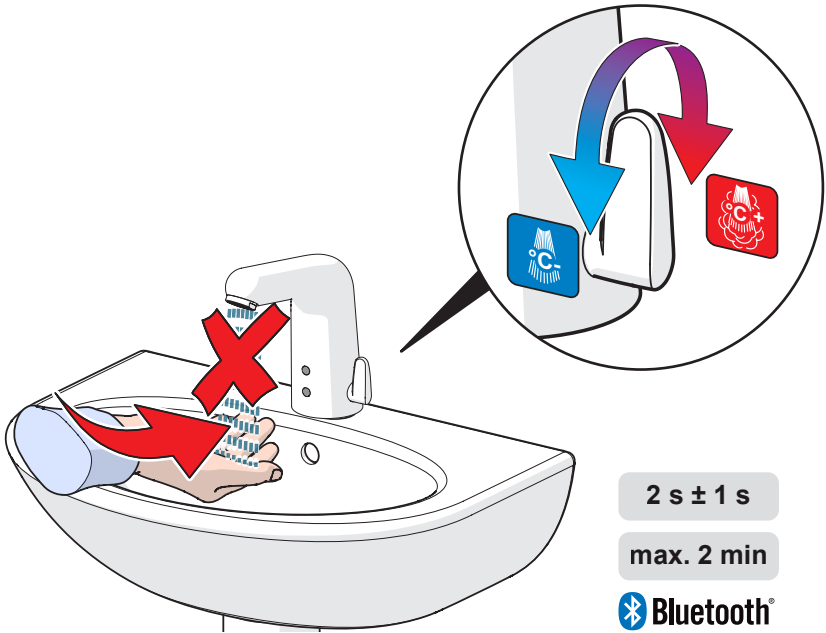
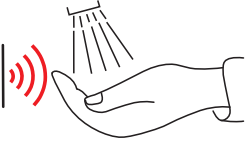
6499 0100



5991 4579

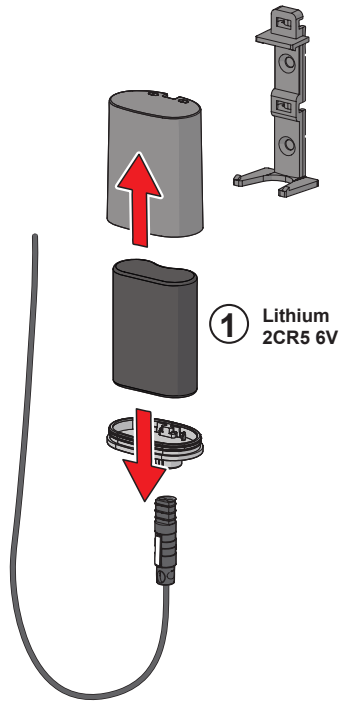


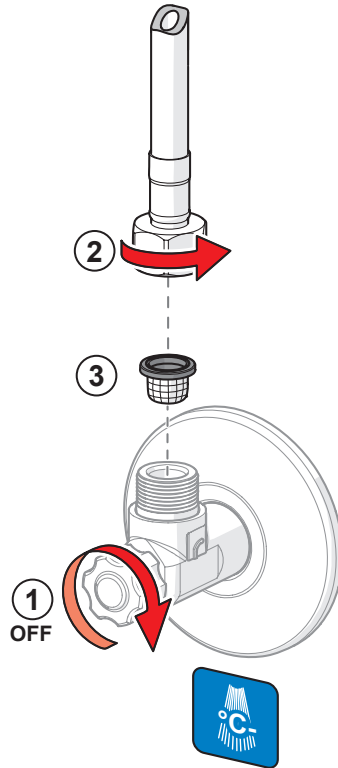
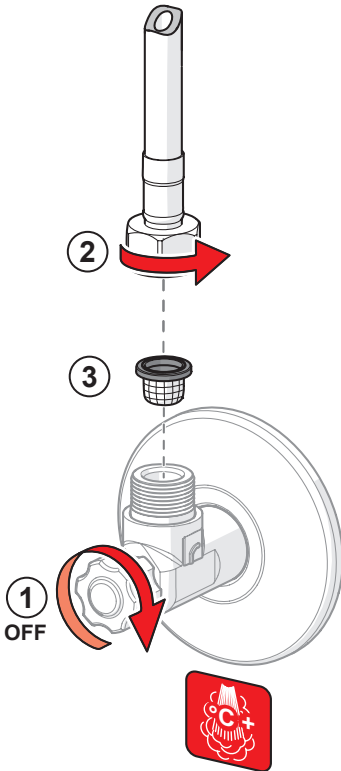
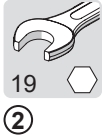
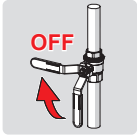
Automatic

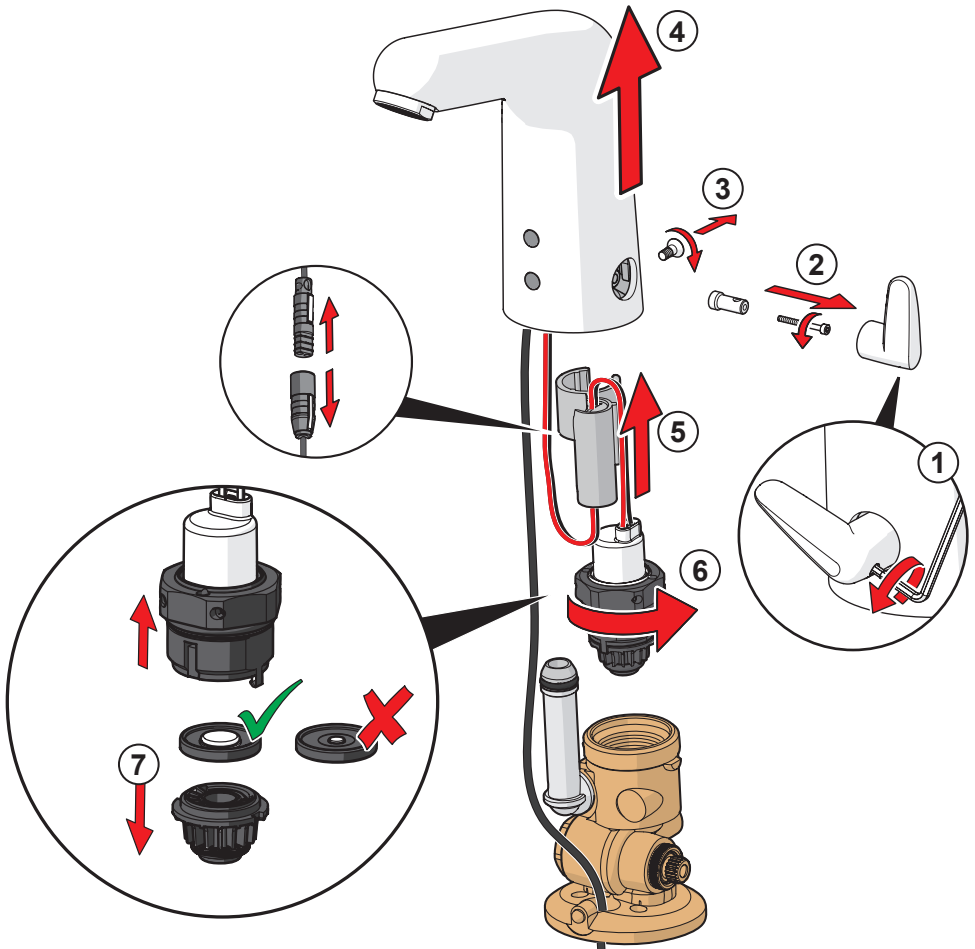
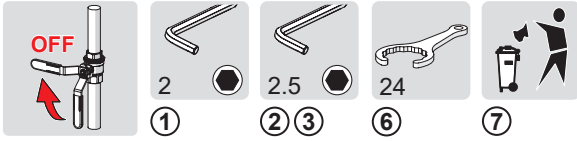


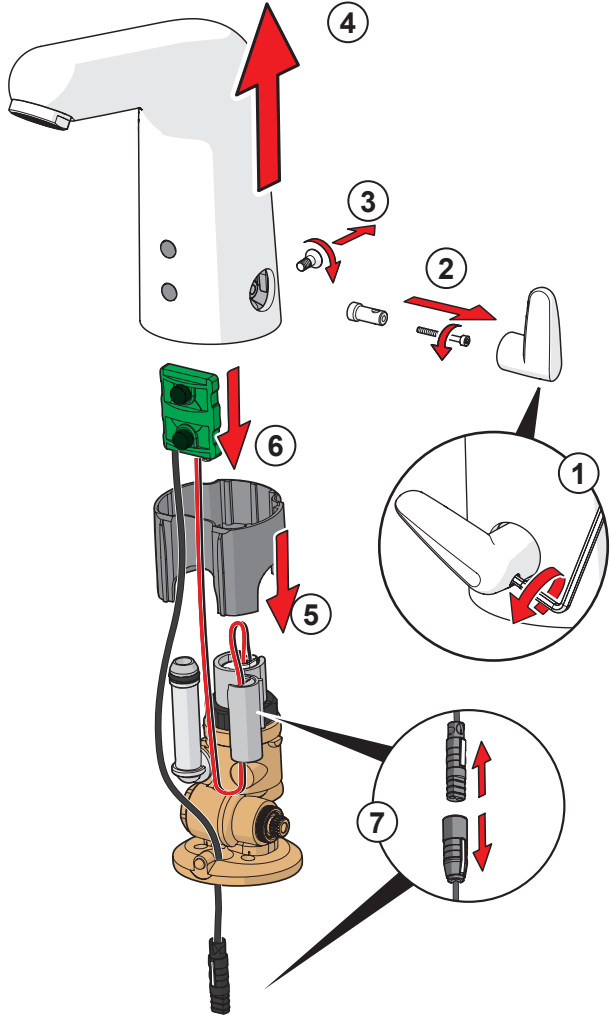
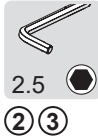
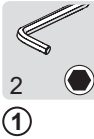
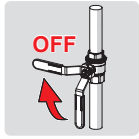


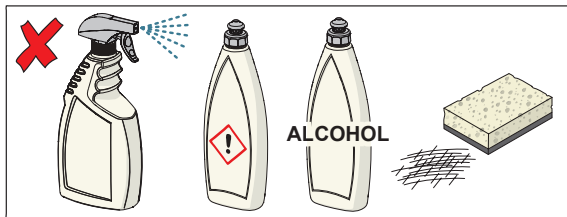
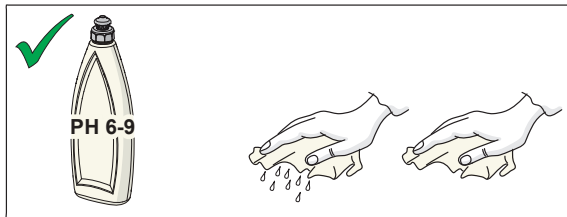
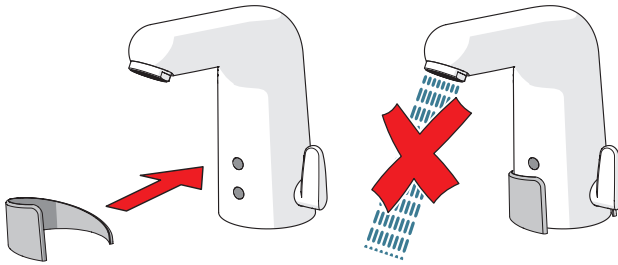
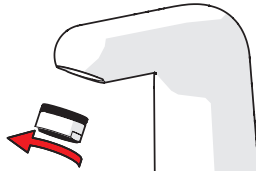
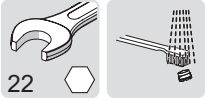
①











cleaning.hansa.com

Oras Group is a powerful European provider of sanitary fittings: the market leader in the Nordics and a leading company in Continental Europe. The company's mission is to make the use of water easy and sustainable and its vision is to become the European leader of advanced sanitary fittings. Oras Group has two strong brands: Oras and Hansa.

The Group's head office is located in Rauma, Finland, and the Group has three manufacturing sites: Kralovice (Czech Republic), Olesno (Poland) and Rauma (Finland). Oras Group employs approximately 1,200 people in twenty countries. Oras Group is owned by Oras Invest, a family company and an industrial owner.

HANSA Armaturen GmbH
P. O. BOX 81 02 40
D-70519 Stuttgart
Sigmaringer Strasse 107
D-70567 Stuttgart
Tel.: +49 711 16 14 0
Fax: +49 711 16 14 368
info@hansa.de
www.hansa.com



943256D-03-21